

# TERMINAL BLOCK SCHEMATIC

## Standard Module

1. Relay – Normally open terminal
2. Relay – Common terminal
3. Relay – Normally closed terminal
4. Channel 1 – Loop power supply
5. Channel 1 – 4-20 mA analog input
6. Ground
7. 12-24 volt external power positive terminal
8. Ground

## Logger Module

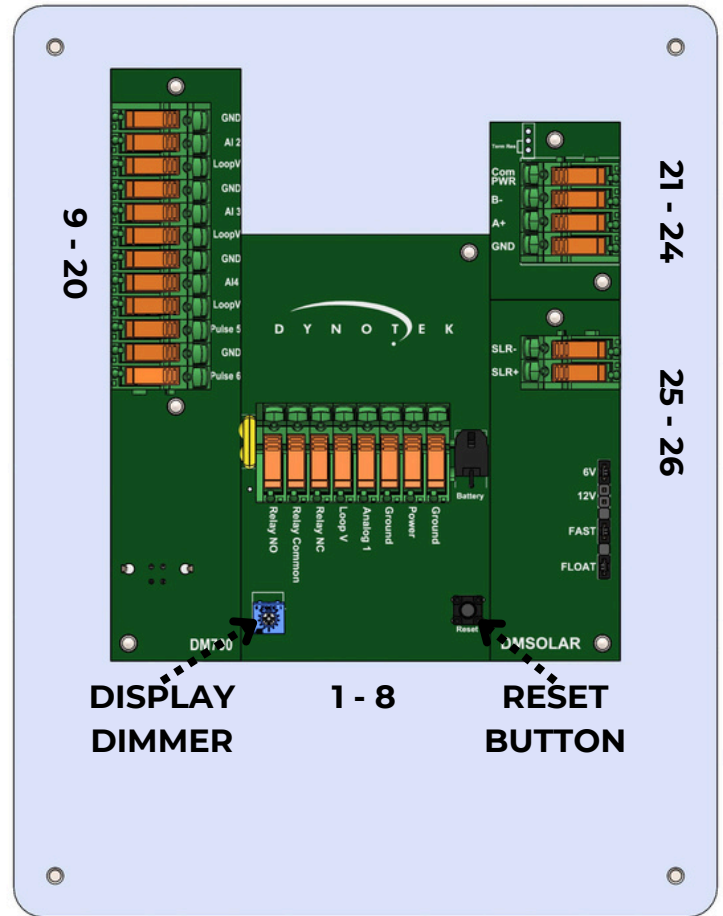
9. Ground
10. Channel 2 – 4-20 mA analog input
11. Channel 2 – Loop power supply
12. Ground
13. Channel 3 – 4-20 mA analog input
14. Channel 3 – Loop power supply
15. Ground
16. Channel 4 – 4-20 mA analog input
17. Channel 4 – Loop power supply
18. Channel 5 – Digital/Pulse input
19. Ground
20. Channel 6 – Digital/Pulse input

## 485 Modbus

21. Communication power supply
22. Modbus 485 B- Output
23. Modbus 485 A+ Output
24. Ground

## Solar Controller

25. Solar panel negative
26. Solar panel positive



**Jim Butler**

*jim@dynotekonline.com*

303-947-4202 cell

**Troy Russell**

*troy@dynotekonline.com*

720-619-6762 cell